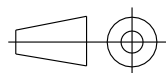
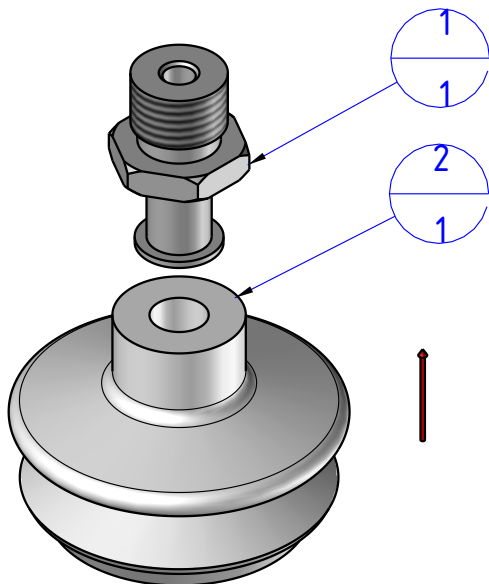
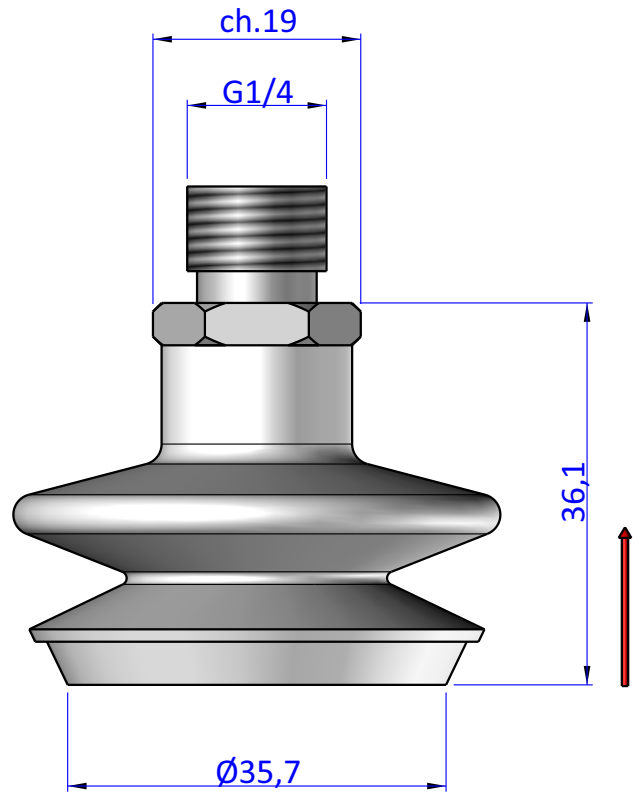


THE PROPERTY OF THE DRAWING IS ESTABLISHED BY LAW. IT IS FORBIDDEN TO PRODUCE OR SHOW IT TO THIRD PART. WITHOUT A WRITTEN AGREEMENT.

Item	Name	Q.ty
1	CA.08.09.021	1
2	CA.08.26.D43.AS	1



DESIGNED FROM FPS Automation		REVIEW A
DATE 04/11/2020	WEIGHT 0,025kg	
CODE KIT.08.26.D43.21		

Format **A4**
UNI 936-76

GENERAL TOLERANCE
UNI - ISO 2768
CLASSE **f**

DESCRIPTION
KIT.08.26.D43.21